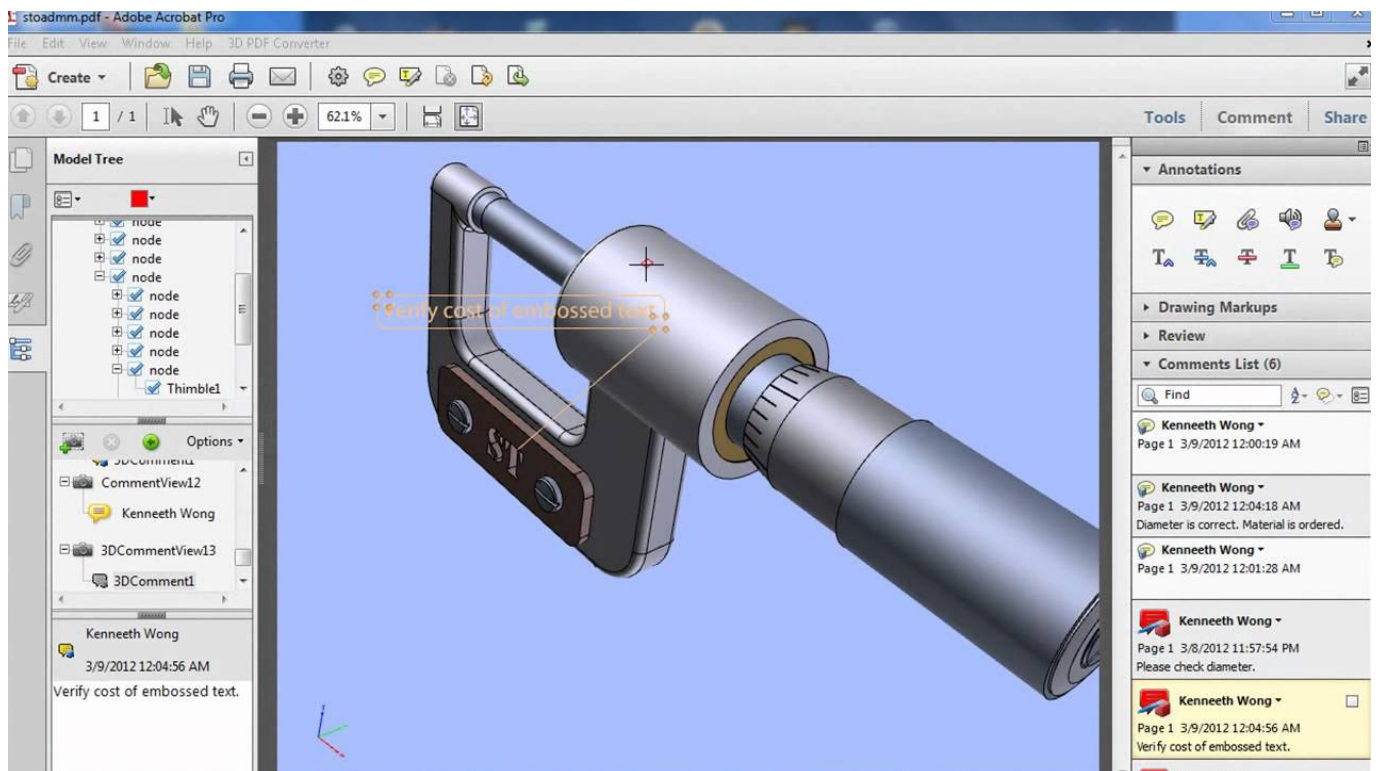




[AnyDVD.HD.7.1.7.0-Final-March 23,2k13.rar Free Download](#)



[AnyDVD.HD.7.1.7.0-Final-March 23,2k13.rar Free Download](#)



**DOWNLOAD**



**DOWNLOAD**

---

Changes in AnyDVD & AnyDVD HD 7.1.7.0, 2013 03 22: - New (Blu-ray): Support for new discs - New (DVD): Support for new discs - New: Added Cinavia fix for PowerDVD 12.0.2625.57 - New: Rip to ca8d075f12

---

cea4a75580c5043370347b73aedcc610a86e8cc9

9.91 MiB (10392812 Bytes)

---

[vydandro](#) ca8d075f12

[MediaHuman YouTube Downloader 3.9.8.21 \(1502\) + Crack download pc](#)  
[Windows 10 Spring Creators Update EN-US x64 17134.112 RTM ISO](#)  
[XYplorer 11.20.0000 Final Incl Keygen-CRUDE setup free](#)  
[CRACK n-Track Studio EX 8.1.4.3464 \(x64\) Incl Patch \[SadeemPC\]](#)  
[Nuclear Coffee Recover Keys 11.0.4.229 Enterprise CMD Multiling](#)  
[FULL Movie.DVD.Maker.v1.6.4.WinALL.Incl.Keygen-ViRiLiTY](#)  
[EaseUS Data Recovery Wizard v17.9 + Keygen setup free](#)  
[CyberLink Power DVD Ultra v 12.0.1905.56 Multilingual Incl Activ Serial Key keygen](#)  
[FULL Native Instruments RISE and HIT KONTAKT DVDR-SYNTHiC4TE \[deepsta](#)  
[Atomix Virtual DJ Pro 8.0.2053Incl. Crack \[TechTools\] setup free](#)