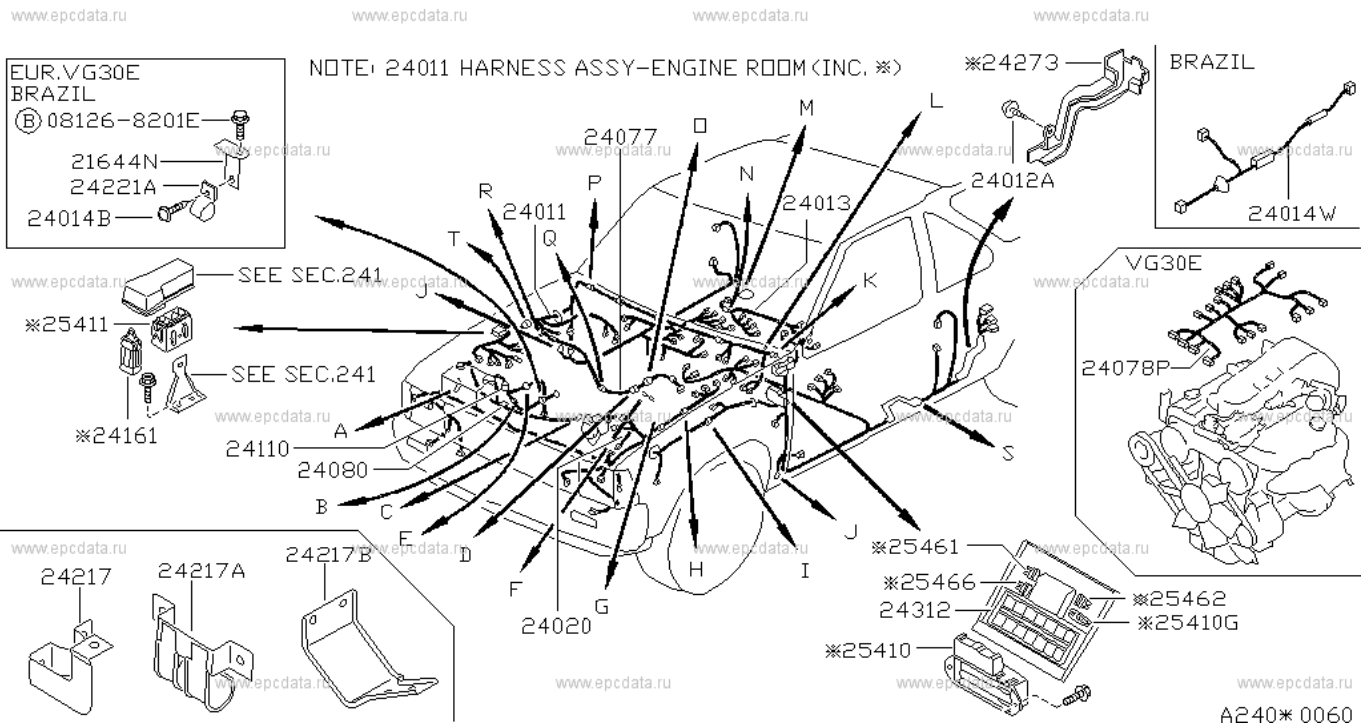




DOWNLOAD

[Nissan Terrano 2 Owners Manual](#)



[Nissan Terrano 2 Owners Manual](#)



DOWNLOAD

Everyday low prices and free delivery on eligible orders Nissan Terrano 4x4 Nissan Terrano 2 Owners Manuals.. Nissan Terrano 2 Nissan Terrano Owners Manual Nissan Terrano Owners Manual Russian (14 Pages) (Free) Nissan Terrano Misc Document.

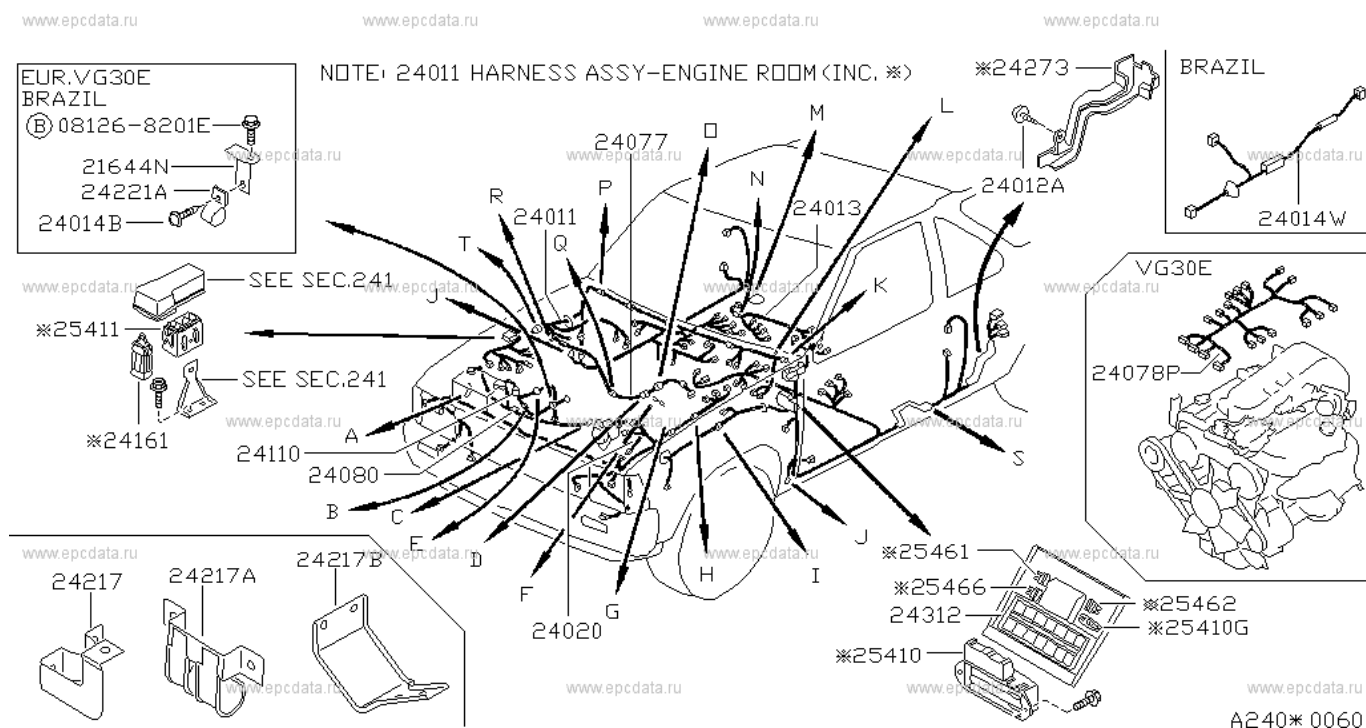
1. [nissan terrano owners manual india](#)
2. [nissan terrano owners manual pdf](#)
3. [1997 nissan terrano owners manual](#)

Bookmark File PDF Nissan Terrano 2 Owners Manual nissan terrano 2 owners manual rar is available in our digital library an online access to it is set as public so you can get it instantly.. 4 2 7 LITRE ENGINE - OWNER'S HAND BOOK MANUAL by NISSAN (ISBN:) from Amazon's Book Store.

nissan terrano owners manual india

nissan terrano owners manual india, nissan terrano owners manual, nissan terrano owners manual pdf, nissan terrano owners manual download, 1997 nissan terrano owners manual, 1996 nissan terrano owners manual, nissan terrano 2 owners manual download, nissan terrano 2 owners manual, nissan terrano service manual, nissan terrano service manual pdf, nissan terrano service manual india [3080 Electrostatic Classifier Manual : Free Programs, Utilities and Apps](#)

Our book servers spans in multiple countries, allowing you to get the most less latency time to download any of our books like this one.. Nissan Terrano 2002 Service Repair Manual (1,767 Pages) Buy NISSAN TERRANO II OWNERS MANUAL HANDBOOK - 2. [Free Download Jes Extensifier For Mac](#)



[Business Soft Sleeve Laptop Bag Case For Mac](#)

nissan terrano owners manual pdf

[Toon Boom Studio 3 Free Download](#)

[Can I Download Access On Mac](#)

1997 nissan terrano owners manual

[Xdcam Transfer For Mac Download](#)

6e4e936fe3 [Mac Photos App For Windows 10](#)

6e4e936fe3

[Adobe Creative Suite 6 Design Standard Crack](#)